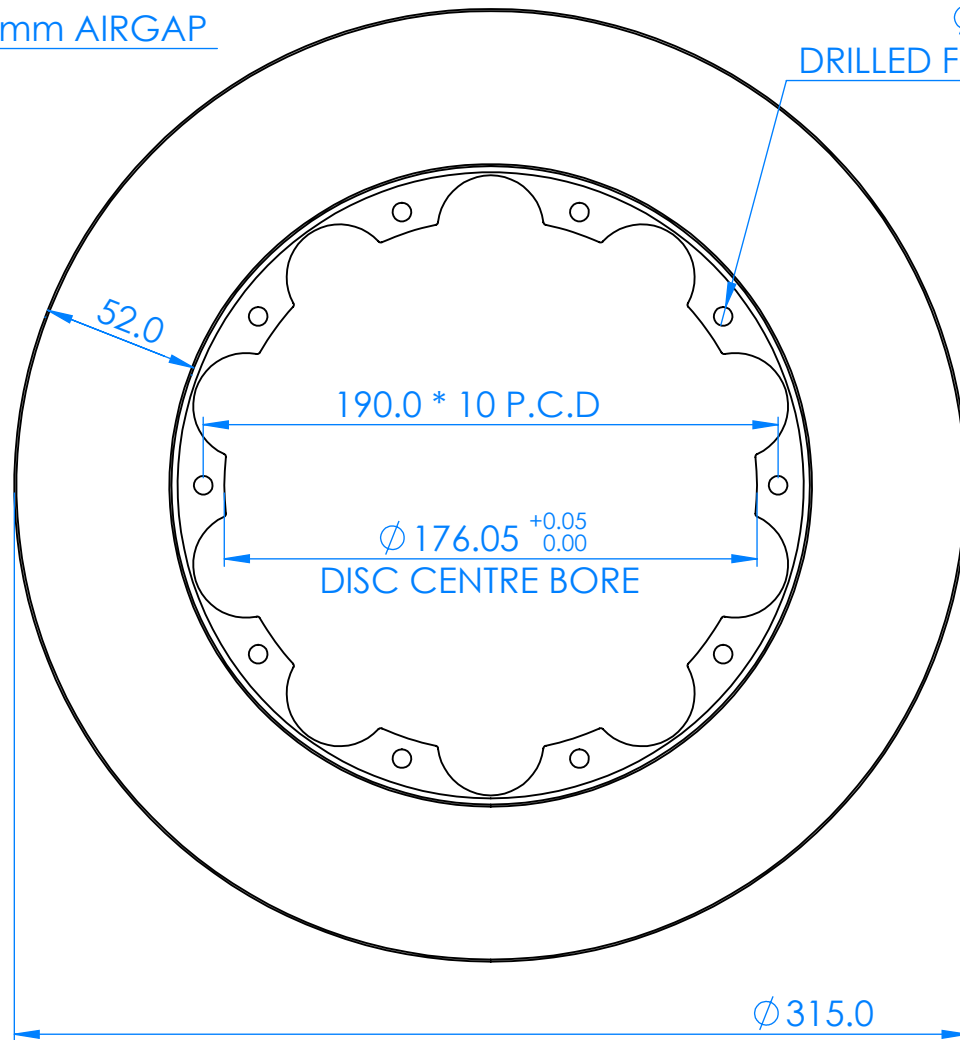
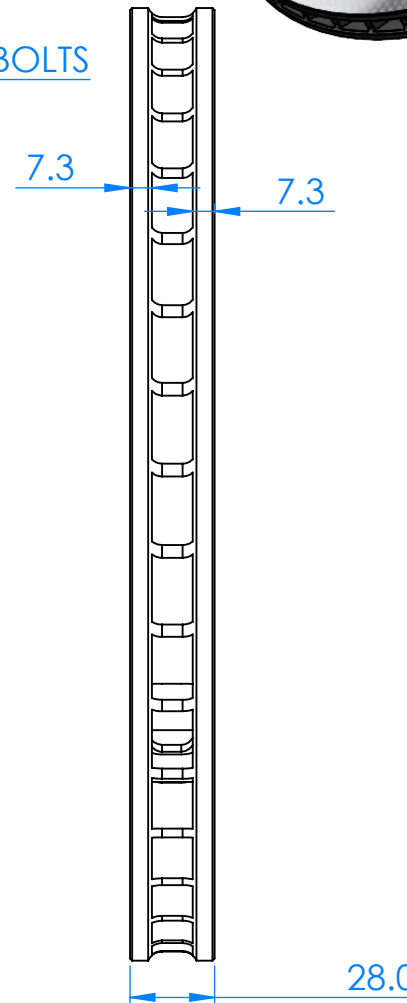


14mm AIRGAP

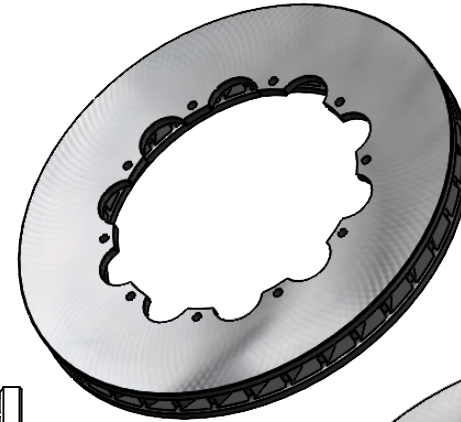


Ø 6.2
DRILLED FOR M6 BOLTS



UNLESS OTHERWISE SPECIFIED:
DIMENSIONS ARE IN MILLIMETERS
SURFACE FINISH:
TOLERANCES:
LINEAR:
ANGULAR:

DEBURR AND
BREAK SHARP
EDGES



Hi SPEC
BRAKES LJK

315 * 28 ROTOR

190 * 10 PCD

14mm AIR GAP

PAD FACE = 52mm

MATERIAL: Gray Cast Iron (SN)

WEIGHT: 5387.35

DRAWN BY: Nick Bedding

DATE: 12/09/2023



SCALE: 1:2.5
DO NOT SCALE DRAWING
SHEET 1 OF 1



A4