

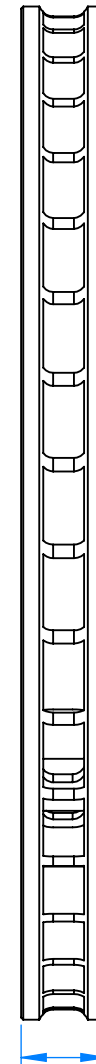
UNLESS OTHERWISE SPECIFIED:  
 DIMENSIONS ARE IN MILLIMETERS  
 SURFACE FINISH:  
 TOLERANCES:  
 LINEAR:  
 ANGULAR:

DEBURR AND  
 BREAK SHARP  
 EDGES

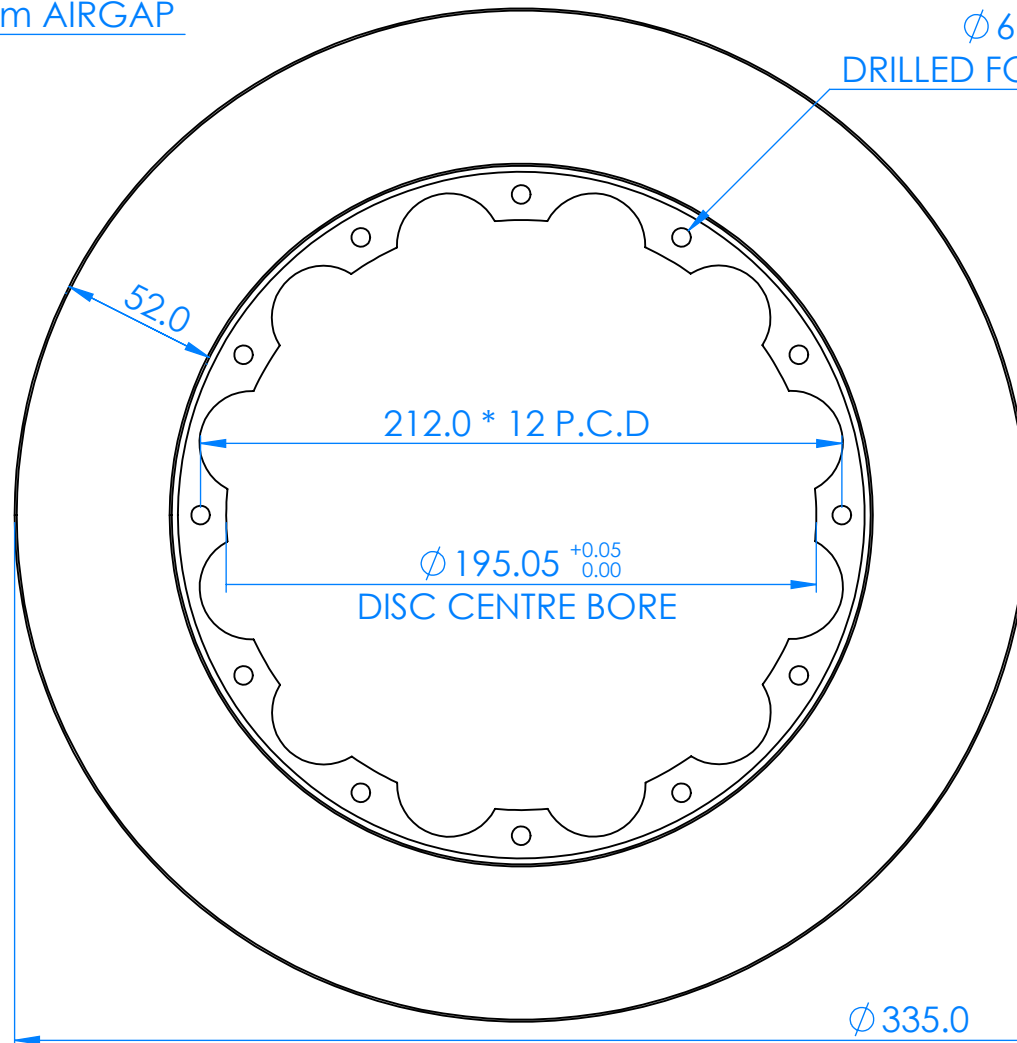


14mm AIRGAP

Ø 6.2mm  
 DRILLED FOR M6 BOLTS



28.0



**Hi SPEC**  
 BRAKES LJK

335 \* 28 ROTOR

212.0 \* 12 PCD

14mm AIR GAP

52mm PAD FACE

MATERIAL: Gray Cast Iron (SN)

WEIGHT: 5816.24

DRAWN BY: Nick Bedding

DATE: 12/09/2023



SCALE: 1:2.5  
 DO NOT SCALE DRAWING  
 SHEET 1 OF 1



A4